



# **CURVESIDE**

## **WOOD PRODUCTS INC**

**Fireplaces, Kitchen & Bath Cabinetry**

**2024 CATALOG**

# CLASSIC FLAME INSERTS

## Our Standard Fireplace Insert

The Classic Flame Inserts takes an energy efficient and environmentally friendly fireplace to the next level. Instead of replacing a regular incandescent light bulb every 2,000 hours, the LED's used in this insert have a life span of over 75,000 hours and only draw 11.2 watts as opposed to the 120 watts of power from an incandescent light bulb. With this efficiency, you are not only saving the environment, but you are saving your money!

## FEATURES

- Infrared quartz heat helps maintain room humidity
- 3D flame technology
- 5 color options, 5 speed settings, & 5 brightness levels
- Full function remote control
- 5,200 BTUs
- Heats up to 1,000 sq. ft.
- Overheating safety technology
- Flame effect without heat
- Digital thermostat
- Automatic shutoff timer from 30 minutes to 9 hours
- Tempered glass front

## CLASSIC FLAME MODELS

- 23II042FGL
- 26II042FGL
- 28II0300GRA
- 32II042FGL
- 33II042FGL



*\* Insert styles change periodically.  
Not responsible if photos are outdated.*

## ONE YEAR WARRANTY THROUGH CLASSIC FLAME

Please call their customer service center first should problems arise.

### Classic Flame Customer Service

Phone: (866) 661-1218

[www.TSICustomerService.com](http://www.TSICustomerService.com)

# DIMPLEX FLAME INSERTS

## Available as an Upgrade to Our Standard Insert

Dimplex Flame Inserts have a patented 3D electric flame technology resulting in realistic flame effect. This powerful 100% efficient electric heater is made of high quality materials. Dimplex Flame Units include a 2 year limited in-home warranty through the manufacturer.

### 26" INSERT

- DF-28L-PRO
- On/Off Remote Control
- 2 Year Warranty

### 30" INSERT

- DF-3015
- Multi-Function Thermostat Control
- Remote control
- 5 Year Warranty



*\* Insert styles change periodically.  
Not responsible if photos are outdated.*

### SPECS

- 120 Volts      - 1,500 Watts
- 12.0 Amps    - 4,6000 BTUs

### Dimplex Customer Service

Phone: (888) 346-7539

*\*\* The Dimplex units ship in boxes. You need to slide insert into front of mantle when you set it up.*

**CURVESIDE WOOD PRODUCTS** does not warranty the fireplace units themselves. This is done through the manufacturer. However we will help you obtain parts and service if needed. These units are of the highest quality and we stand by the products we sell.

**IMPORTANT:** Retail customer needs to receive owner's manual with respective unit. Please stress that electrical specifications and safety standards need to be followed.

# BRYANT FIREPLACE

## ENTERTAINMENT CENTER

### BYFPE-23

- 60"W x 22"D x 41"H
- 23" Insert: Wall Unit

### Shown In

- Brown Maple with Asbury Brown stain (CF-7992)



### FEATURES:

- 23" Classic Flame Fireplace Insert
- Large TV component shelf: 7"H x 44½"W opening
- Unique swing-out sides, hinged on center rail, DVD storage shelves in front portion, adjustable shelves in back
- 3 outlet power strip
- K519-ABSB knob standard

### OPTIONS:

- Glass doors instead of fireplace
- Flip down glass door for component shelf
- 3 outlet power strip with USB

# CALLOWAY FIREPLACE

## ENTERTAINMENT CENTER



### FEATURES:

- 28" Classic Flame Fireplace Insert
- Sliding doors on exposed decorative track
- 3 outlet power strip
- 4 adjustable shelves
- Side Compartments Opening: 18"W x 22<sup>3</sup>/<sub>4</sub>"H
- Side Compartments Inside: 20<sup>1</sup>/<sub>4</sub>"W x 16<sup>1</sup>/<sub>2</sub>"D x 27"H

### OPTIONS:

- Adjustable shelves instead of fireplace insert
- Door hanger style (see Buckeye Hardware catalog)
- EtchWood (roughsawn texture)
- 3 outlet power strip with USB

### CAFPE-28

- 80<sup>5</sup>/<sub>8</sub>"W x 20"D x 32<sup>1</sup>/<sub>2</sub>"H

### Shown In

- Wormy Maple with Bel Air stain (FC-47823)
- EtchWood (Roughsawn)



# CALLOWAY FIREPLACE

## ENTERTAINMENT CENTER



### CAFPE-26

– 68"W x 20"D x 32"H

### Shown In

– Rustic Hickory with  
Antique Slate stain  
(OCS-118)

### FEATURES:

- 26" Classic Flame Fireplace Insert
- 3 outlet power strip
- Cable management channel
- Component Shelf: 26¼"W x 4½"H x 19"D
- Door Openings: 13"W x 23¼"H
- Floor levelers on legs

### OPTIONS:

- 26" Classic Flame glass ember bed insert
- 3 outlet power strip with USB



# CONRAD FIREPLACE

ENTERTAINMENT CENTER



## FEATURES:

- 26" Classic Flame Fireplace Insert
- Sliding doors with exposed decorative track
- Component shelf: 26¼"W x 17"D x 4½"H
- 3 outlet power strip
- Wire management channel
- 1" top

## OPTIONS:

- Fireplace insert with glass ember bed (shown)
- Slider door hanger (see Eldorado Fireplace Entertainment, page 10)
- 3 outlet power strip with USB

## CRFPE-26

- 67¼"W x 20"D x 32¼"H

## Shown In

- Brown Maple with  
Chelsea Gray paint  
(FP-22638)



# DELGADO FIREPLACE

ENTERTAINMENT CENTER



## DELPE-26

- 76½"W x 26½"D x 41½"H

## Shown In

- Brown Maple with Rich Tobacco stain  
(FC-228/OCS-228)

**Curved Insert No Longer Available**



## FEATURES:

- 26" Classic Flame flat glass insert
- Large component shelf:  
Opening - 6"H x 55½"W · Inside - 9"H x 69"W x 15"D
- Side compartments are 19¼"W
- Side doors have 4 lite mullion with seedy glass
- Doors & drawers are flush inset
- Middle drawer front & hearth are curved
- K519-96-DBAC pulls & K519-DBAC knobs standard
- 3 outlet power strip

## OPTIONS:

- Straight hearth and drawer front
- No mullion on doors
- Glass other than seedy, grey, flat, or beveled
- 3 outlet power strip with USB



# DN FIREPLACE

ENTERTAINMENT CENTER



## FEATURES:

- 23" Classic Flame Fireplace Insert
- Includes power strip with 4 outlets and 10' power cord
- Component Shelf - 45"W x 5"H
- Side Compartments: 8 $\frac{1}{8}$ "W x 19 $\frac{3}{4}$ "H with 1 Adjustable Shelf

## OPTIONS:

- Doors with glass on side compartments
- Doors with glass instead of fireplace, includes adjustable shelf
- Flip down door with glass for component shelf
- 3 outlet power strip with USB

## DNFPE-52

- 52"W x 18"D x 36"H
- 23" Insert: Wall Unit

## DNFPE-60

- 60"W x 18"D x 36"H
- 23" Insert: Wall Unit

## Shown In

- Oak with Medium Walnut stain (CF-923)

# ELDORADO FIREPLACE

## ENTERTAINMENT CENTER



### ELDFPE-26

– 68"W x 20"D x 32"H

### Shown In

– QSWO with Storm Gray stain (FC-40323)

### FEATURES:

- 26" Classic Flame Fireplace Insert
- Sliding doors with exposed decorative track
- Component shelf: 26¼"W x 19"D x 4½"H
- 3 outlet power strip
- Wire management channel



### OPTIONS:

- Fireplace insert with glass ember bed
- Slider door hanger (see Conrad Fireplace Entertainment, page 7)
- 3 outlet power strip with USB

# GRINNEL FIREPLACE

ENTERTAINMENT CENTER



## FEATURES:

- 32" Classic Flame Fireplace Insert
- Flat glass fireplace insert
- Beveled glass in doors
- Soft close doors
- Soft close undermount drawer slides
- Component shelf is 6 $\frac{3}{4}$ "H x 37 $\frac{1}{4}$ "W x 15"D
- 3 outlet power strip
- Cord holes in back
- 1" top
- 29355-CBZ pulls, 29340-CBZ knobs, Candler series standard

## OPTIONS:

- Wood panel doors
- Any Buckeye decorative hardware
- 3 outlet power strip with USB

## GRFPE-32

-72"W x 20"D x 38"H

## Shown In

- Sap Cherry with Chocolate Spice stain (FC-9090)

**Note: Design has changed and no longer includes a curved base.**

# HORIZONS FIREPLACE

## ENTERTAINMENT CENTER



### HOFPE-28

- 78"W x 21¼"D x 32½"H
- 28" Classic Flame Insert

### Shown In

- Oak with Pewter stain  
(FC-12032)

### FEATURES:

- 28" Classic Flame Fireplace Insert
- Side compartment openings are 18"W x 17½"D x 22¾"H
- 2 adjustable shelves on each side
- 9 Lite mullion doors, flush inset
- Seedy glass in doors
- Buckeye D552-ORB knobs standard
- 3 outlet power strip

### OPTIONS:

- Dimplex 26" insert (DF-28L-PRO)
- Plain or gray glass
- Any Buckeye hardware
- 3 outlet power strip with USB

# MADISON FIREPLACE

ENTERTAINMENT CENTER



## FEATURES:

- 28" Classic Flame Fireplace Insert
- Side Compartments: 18"W with 2 adjustable shelves
- Grey glass in doors
- 3 outlet power strip
- Cord holes in back of both compartments
- K3898-DBAC knobs

## OPTIONS:

- Dimplex 26" insert (DF-28L-PRO)
- Beveled glass doors
- Raised panel doors
- 3 outlet power strip with USB

## MAFPE-28

- 77¼"W x 21"D x 32½"H

## Shown In

- Oak with New Carrington stain (FC-N3173)

# MONROE FIREPLACE

## ENTERTAINMENT CENTER

### MONFPE-23

- 54"W x 20½"D x 36"H

- 23" Insert: Wall Unit

### Shown In

- QSWO with Michaels  
Cherry stain



### FEATURES:

- 28" Classic Flame Fireplace Insert
- Large TV component shelf: 48½"W x 17"D x 6½"H with fold-down gray glass door with touch latch
- Deep drawer sized for DVD cases. Plenty of storage for DVDs, remotes, etc
- Available with glass doors instead of Fireplace Insert
- Complete your setting with our Monroe Wine Cabinet
- 3 outlet power strip
- K807-BI pulls

### OPTIONS:

- 3 outlet power strip with USB

# NAPLES FIREPLACE

ENTERTAINMENT CENTER



## FEATURES:

- 26" Classic Flame Fireplace Insert
- Black powder coated steel ends/legs
- Flush inset doors
- 1" top
- Center divider in component area
- Component Openings: 31¼"W x 15"D x 5½"H
- 1 adjustable shelf behind doors
- Door Openings: 16"W x 15"D x 17¼"H
- 3 outlet power strip
- 220-MB pulls
- Adjustable floor levelers

## OPTIONS

- 26" Classic Flame insert with glass ember bed
- Any Buckeye Hardware
- 3 outlet power strip with USB

## NAFPE-26

-78¼"W x 18"D x 33¼"H

## Shown In

- Rustic Cherry with Windsor stain (FC-6321)



# PRESTON FIREPLACE

ENTERTAINMENT CENTER



## PRFPE-28

- 78"W x 20"D x 38"H

## Shown In

- Oak with Briar stain  
(FC-15743)

## FEATURES:

- 28" Classic Flame Fireplace Insert
- Open shelving
- Recessed back on center section
- Ends are 34½" high
- 3 outlet power strip

## OPTIONS

- Component shelf above fireplace insert
- Swing up or flip down door for component shelf
- Dimplex 26" insert (DF-28L-PRO)
- 3 outlet power strip with USB



# WESTON FIREPLACE

ENTERTAINMENT CENTER



## FEATURES:

- 28" Classic Flame Fireplace Insert
- Side Compartment: 17"W x 24¼"H x 16"D
- Includes 2 adjustable shelves. Standard with wood grill, flush inset and D-527-A Hersh hardware
- Fireplace Compartment: 28½"W x 22¾"H x 16"D
- 3 outlet power strip

## OPTIONS

- Dimplex 26" insert (DF-28L-PRO)
- 3 outlet power strip with USB

## WESFPE-23

- 72½"W x 20"D x 32"H
- 23" Insert: Wall Unit

## WESFPE-28

- 78"W x 20"D x 32"H
- 28" Insert: Wall Unit

## Shown In

- QSWO with Michaels Cherry stain

# WYNDAM FIREPLACE

## ENTERTAINMENT CENTER



### WYNFPE-28

- 77¼"W x 21"D x 32½"H
- 28" Classic Flame Insert

### Shown In

- Brown Maple with Ebony stain (FC-11047)

### FEATURES:

- 28" Classic Flame Fireplace Insert
- Side compartment openings are 18"W x 17½"D x 22¾"H
- Arched doors with gray glass
- Doors are ½" overlay with concealed soft close hinge
- 2 adjustable shelves on each side
- 3 outlet power strip
- Buckeye K6060-DBN knobs standard
- ¾" crown molding
- Bun feet

### OPTIONS:

- Dimplex 26" insert (DF-28L-PRO)
- Plain, seedy, or beveled glass
- Any Buckeye hardware
- 3 outlet power strip with USB

# CALLOWAY FIREPLACE



## **CAFP-33**

- 56"W x 22½"D x 48"H
- 33" Insert: Wall Unit

## **CAFP-33C**

- 62"W x 32"D x 45"H
- 33" Insert: Corner Unit
- 44" Wall Space

## **CAFP-23**

- 41½"W x 18½"D x 37½"H
- 23" Insert: Wall Unit

## **CAFP-23C**

- 49"W x 26½"D x 38"H
- 23" Insert: Corner Unit
- 36" Wall Space

## **Shown In**

- Rustic Hickory with Tavern stain (FC-10944)

## **FEATURES:**

- 23" or 33" Classic Flame Fireplace Insert

## **OPTIONS:**

- Component shelf opening with 3 outlet power strip
- Flip down door for component shelf
- Swing-up door for component shelf
- Hearth drawers
- Swing out sides
- Dimplex 26" or 30" fireplace inserts

# CHARLESTON FIREPLACE

## CHAFF-23

- 41¼"W x 18½"D x 39½"H
- 23" Insert: Wall Unit

## CHAFF-33

- 58½"W x 22½"D x 48"H
- 33" Insert: Wall Unit

## Shown In

- Oak with Medium Walnut stain (CF-923)



## CHAFF-23C

- 49"W x 26½"D x 39½"H
- 23" Insert: Corner Unit
- 36" Wall Space

## CHAFF-33C

- 62"W x 32"D x 46"H
- 33" Insert: Corner Unit
- 44" Wall Space

## Shown In

- Cherry with Washington stain (CF-97595)

## FEATURES:

- Classic Flame Fireplace Insert

## OPTIONS:

- Component shelf opening
- Flip down door for component opening
- Swing-out side (wall units only)
- Hearth drawers
- TV Lift (33" wall units only)
- Swing-up door for component shelf



# CONRAD FIREPLACE



## FEATURES:

- Classic Flame Fireplace Insert

## OPTIONS:

- Component shelf opening (COP-B)
- Flip down component door (F-CB)

- Shown with swing up component door (SUD-CB)
- Swing-out side panel (SOS, wall units only)
- Hearth drawers (H-DR)
- TV lift (TVL, 33" wall units only)
- Dimplex insert



## CRFP-23

- 41½"W x 18"D x 38"H
- 23" Insert: Wall Unit

## CRFP-23C

- 49"W x 26½"D x 38"H
- 23" Insert: Corner Unit
- 36" Wall Space

## CRFP-33

- 55"W x 21"D x 45"H
- 33" Insert: Wall Unit

## CRFP-33C

- 62"W x 32"D x 45"H
- 33" Insert: Corner Unit
- 44" Wall Space

## Shown In

- Brown Maple with Metropolitan paint (FP-15809)

# CURIO FIREPLACE



## **CURFP-28**

- 76½"W x 20"D x 46"H

- 28" Insert: Wall Unit

## **Shown In**

- Cherry with Windsor stain  
(FC-6321)

## **FEATURES:**

- 28" Classic Flame Fireplace Insert
- Acrylic Solid Surface (Corian brand) fireplace surround. Color options below.
- Glass curio shelves and mirrored backs
- Curio lights

## **OPTIONS:**

- Dimplex 26" insert (DF-28L-PRO)



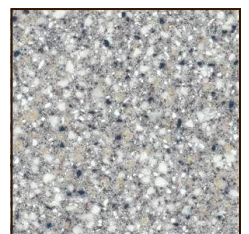
**Aurora**



**Matterhorn**



**Maui**



**Platinum**

# DENALI FIREPLACE



## FEATURES:

- Classic Flame Fireplace Insert
- Bump-out on hearth panel
- Arched raised panel front
- Recessed back

## OPTIONS:

- Component shelf opening (COP-B)
- Flip down component door (F-CB)
- Swing-out side storage (SOS, wall units only)
- Hearth drawers (H-DR)
- TV lift (TVL, 33" wall units only)
- Acrylic solid surface (Corian brand) fireplace surround, see color choices below.  
NOT available with swing-out sides (SOS) or component opening (COP-B)



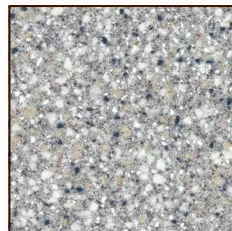
Aurora



Matterhorn



Maui



Platinum

## DENFP-23

- 48 $\frac{1}{4}$ "W x 25"D x 43"H
- 23" Insert: Wall Unit

## DENFP-23C

- 52"W x 30"D x 43"H
- 23" Insert: Corner Unit
- 38" Wall Space

## DENFP-33

- 62 $\frac{1}{4}$ "W x 26"D x 51"H
- 33" Insert: Wall Unit

## DENFP-33C

- 62"W x 32"D x 51"H
- 33" Insert: Corner Unit
- 44" Wall Space

## Shown In

- Brown Maple with Coffee stain (OCS-226)



# EASTOWN FIREPLACE

## **ETWNFP-23**

- 43"W x 18½"D x 41¼"H
- 23" Insert: Wall Unit

## **ETWNFP-23C**

- 50"W x 26½"D x 41"H
- 23" Insert: Corner Unit
- 36" Wall Space

## **ETWNFP-33**

- 59"W x 22½"D x 48"H
- 33" Insert: Wall Unit

## **ETWNFP-33C**

- 58"W x 34"D x 48"H
- 33" Insert: Corner Unit
- 44" Wall Space

## **Shown In**

- Oak with Copper stain  
(FC-7695)



## **FEATURES:**

- Classic Flame Fireplace Insert

## **OPTIONS:**

- Component shelf opening
- Flip down door for component opening
- Swing-out side (wall units only)
- Hearth drawers
- TV Lift (33" wall units)



# ELDORADO FIREPLACE



## **ELDFP-23**

- 41½"W x 18½"D x 38"H
- 23" Insert: Wall Unit

## **ELDFP-23C**

- 49"W x 26½"D x 38"H
- 23" Insert: Corner Unit
- 36" Wall Space

## **ELDFP-33**

- 53"W x 21"D x 45"H
- 33" Insert: Wall Unit

## **ELDFP-33C**

- 62"W x 32"D x 45"H
- 33" Insert: Corner Unit
- 44" Wall Space

## **Shown In**

- QSWO with Dark Knight stain (FC-19093)

## **FEATURES:**

- Classic Flame Fireplace Insert

## **OPTIONS:**

- Component shelf opening (COP-B)
- Flip down component door (F-CB)
- Shown with swing up component door (SUD-CB)
- Hearth drawers (H-DR)
- Swing-out side panel (SOS, wall units only)
- TV lift (TVL, 33" wall units only)
- Dimplex insert



# FELIX FIREPLACE

## FELFP-23

- 48"W x 18½"D x 40"H
- 23" Insert: Wall Unit

## FELFP-23C

- 49"W x 26½"D x 40"H
- 23" Insert: Corner Unit
- 36" Wall Space

## FELFP-33

- 58½"W x 22½"D x 48"H
- 33" Insert: Wall Unit

## FELFP-28C

- 62"W x 32"D x 48"H
- 33" Insert: Corner Unit
- 44" Wall Space

## Shown In

- QSWO with Michaels  
Cherry stain



## FEATURES:

- Classic Flame Fireplace Insert

## OPTIONS:

- Component shelf opening (see page 37)
- Flip down door for component opening
- Swing-out side (wall units only)
- Hearth drawers
- TV Lift (33" wall units)

# LAFAYETTE FIREPLACE



## **LAFP-23**

- 42¾" W x 18" D x 36½" H
- 23" Insert: Wall Unit

## **LAFP-23C**

- 49½" W x 26½" D x 36½" H
- 23" Insert: Corner Unit
- 36" Wall Space

## **LAFP-33**

- 55" W x 18" D x 43" H
- 33" Insert: Wall Unit

## **LAFP-33C**

- 62" W x 32" D x 43" H
- 33" Insert: Corner Unit
- 44" Wall Space

## **Shown In**

- Brown Maple with Rich Tobacco (OCS-228) stain

## **FEATURES:**

- 33" or 23" Classic Flame Fireplace insert

## **OPTIONS:**

- Component shelf opening (COP-B)\*
- Flip down component door (F-CB)\*
- Hearth drawers (H-DR)
- Dimplex insert

*\*COP-B and F-CB options add 4" to height*

# MISSION FIREPLACE

## MISFP-23

- 43"W x 18½"D x 41¼"H
- 23" Insert: Wall Unit

## MISFP-23C

- 50"W x 26½"D x 41"H
- 23" Insert: Corner Unit
- 36" Wall Space

## MISFP-33

- 59"W x 22½"D x 48"H
- 33" Insert: Wall Unit

## MISFP-33C

- 62"W x 32"D x 48"H
- 33" Insert: Corner Unit
- 44" Wall Space

## Shown In

- Oak with Medium Walnut stain (FC-923)



## FEATURES:

- Classic Flame Fireplace Insert

## OPTIONS:

- Component shelf opening
- Flip down door for component opening
- Swing-out side (wall units only)
- Hearth drawers
- TV Lift (33" wall units only)

# MODESTO FIREPLACE



## **MODFP-23**

- 41¼"W x 18½"D x 40"H
- 23" Insert: Wall Unit

## **MODFP-33**

- 58½"W x 22½"D x 48"H
- 33" Insert: Wall Unit

## **Shown In**

- QSWO with Michaels Cherry stain

## **MODFP-23C**

- 50"W x 26½"D x 40"H
- 23" Insert: Corner Unit
- 36" Wall Space

## **MODFP-33C**

- 62"W x 32"D x 48"H
- 33" Insert: Corner Unit
- 44" Wall Space

## **Shown In**

- QSWO with Michaels Cherry stain



## **FEATURES:**

- Classic Flame Fireplace Insert

## **OPTIONS:**

- Component shelf opening
- Flip down door for component opening
- Swing-out side (wall units only)
- Hearth drawers
- TV Lift (33" wall units only)

# PRESTON FIREPLACE

## PRFP-23

- 39"W x 20½"D x 35"H

- 23" Insert: Wall Unit

## PRFP-33

- 48½"W x 20½"D x 41"H

- 33" Insert: Wall Unit

## Shown In

- Oak with Michael's Cherry stain. 28" insert size.



## FEATURES:

- Classic Flame Fireplace Insert
- Compact design with incorporated component shelf
- Clean, straight trim details
- 4 Power Outlet strip

## OPTIONS:

- 2 insert sizes - 23" and 33"

# REGAL FIREPLACE

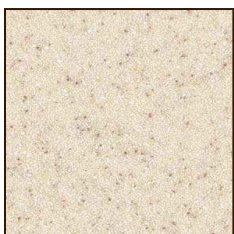


## FEATURES:

- Classic Flame Fireplace Insert
- Wood fireplace surround standard

## OPTIONS:

- Component shelf
- Flip down door for component shelf
- Swing out sides (SOS)
- Hearth drawers (wall units only)
- Acrylic Solid Surface (Corian brand) fireplace surround. Not available with swing-out sides (SOS). Color options below.



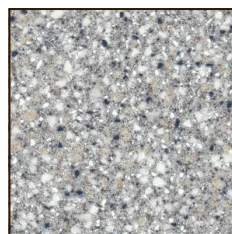
Aurora



Matterhorn



Maui



Platinum

## REGFP-23

- 47 $\frac{3}{4}$ "W x 18 $\frac{1}{2}$ "D x 40"H
- 23" Insert: Wall Unit

## REGFP-23C

- 50"W x 26 $\frac{1}{2}$ "D x 40"H
- 23" Insert: Corner Unit
- 36" Wall Space

## REGFP-33

- 58 $\frac{1}{2}$ "W x 20 $\frac{1}{2}$ "D x 45"H
- 33" Insert: Wall Unit

## REGFP-33C

- 62"W x 32"D x 45"H
- 33" Insert: Corner Unit
- 44" Wall Space

## Shown In

- Brown Maple with White Paint (FP-117) & Warm Brown Glaze (FG-N1025), #10 sheen. Aurora Surround.

# REGAL FIREPLACE

ENTERTAINMENT OPTION

**REGFP-33**

**Shown In**

– Brown Maple wood with  
Asbury Brown stain  
(CF-7992)



**FEATURES:**

- Classic Flame Fireplace Insert

**OPTIONS:**

- Shown with optional swing out side storage (SOS)
- Shown with optional component box (COPB)
- Optional flip down front on component box (F-CB)
- 3 outlet power strip with USB



# ROCK LEDGE FIREPLACE



## ROLEDFP-23

- 55 $\frac{3}{4}$ "W x 22 $\frac{1}{2}$ "D x 41"H
- 23" Classic Flame Insert

## ROLEDFP-33

- 64"W x 22 $\frac{1}{2}$ "D x 47"H
- 33" Classic Flame Insert

## Shown In

- QSWO with distressed Asbury stain (CF-7992) and Twilight Blend stone.

## FEATURES:

- Real stone veneer on sides and front. Manufactured locally.
- 3" thick top
- 2" thick hearth panel
- Shown with 33" Classic Flame Insert

## OPTIONS:

- Crown Moulding option
- 23" Classic Flame Insert
- Additional stone choices:



**Artistic Stone  
San Diego**



**Artistic Stone  
Dexter**



**Artistic Stone  
Tri Blend**

## Disclaimer

The stone is dry fit with no grout. Small gaps up to  $\frac{3}{16}$ " are unavoidable and considered acceptable. The wood panel is stained before the stone is applied.

## Crown Moulding Option Shown In:

- Hickory with Tavern Stain (FC-10944) and Twilight Blend stone.



# STONEY RIDGE FIREPLACE

## STFP-28

- 60 $\frac{3}{4}$ "W x 18"D x 39 $\frac{3}{4}$ "H
- 28" Insert: Wall Unit

## STFP-23

- 54 $\frac{3}{4}$ "W x 18"D x 36 $\frac{1}{2}$ "H
- 23" Insert: Wall Unit

## Shown In

- Oak with Gray Flannel (FC-47871) stain
- Tri-Blend Stone



## FEATURES:

- Shown with 28" Classic Flame Fireplace Insert
- Sleek and shallow footprint
- Real stone veneer. Manufactured locally.
- CO-5 cove molding under top

## OPTIONS:

- 23" insert sizes
- 4 stone colors

## Disclaimer

The stone is dry fit with no grout. Small gaps up to  $\frac{3}{16}$ " are unavoidable and considered acceptable. The wood panel is stained before the stone is applied.



Artistic Stone  
San Diego



Artistic Stone  
Dexter



Artistic Stone  
Twilight Blend

## Disclaimer

The stone is dry fit with no grout. Small gaps up to  $\frac{3}{16}$ " are unavoidable and considered acceptable. The wood panel is stained before the stone is applied.

# TETON FIREPLACE



## **TETFP-23**

- 41½"W x 18"D x 39¼"H
- 23" Insert: Wall Unit

## **TETFP-23C**

- 49½"W x 26½"D x 39¼"H
- 23" Insert: Corner Unit
- 36" Wall Space

## **TETFP-33**

- 58½"W x 19"D x 47"H
- 33" Insert: Wall Unit

## **TETFP-33C**

- 62"W x 32"D x 47"H
- 23" Insert: Corner Unit
- 44" Wall Space

## **Shown In**

- Rough Sawn Brown Maple with Almond (FC-42000) stain

## **FEATURES:**

- 1¾" thick top and bottom on 33" insert size
- 1½" thick top and bottom on 23" insert size
- Black powder coated steel corners
- 33" or 23" Classic Flame insert

## **OPTIONS:**

- Component shelf opening (COP-B)
- Flip down component door (F-CB)
- Swing up component door (SUD-CB)
- Swing-out side panel (SOS, wall units only)
- Hearth drawers (H-DR)
- Dimplex insert

# VALLEY

## VALFP

- 46¼"W x 18"D x 31"H
- 23" Insert: Wall Unit



### FEATURES:

- 23" Classic Flame Fireplace Insert
- Entry level model on heavy duty casters, completely mobile to move from room to room
- Dimplex option available

# VALLEY JR

## VALJRFP

- 36"W x 16"D x 29"H
- 23" Insert: Wall Unit



### FEATURES:

- 23" Classic Flame Fireplace Insert
- On casters and completely mobile

# TV LIFT

## TVL-5264

– 64"W x 9"D x 52"H

## Shown In

– QSWO with Earthtone stain (FC-40592)

## Shown With

– Felix Fireplace (FELFP-33) with 33" insert

## IMPORTANT NOTE:

The TV Lift unit is not meant to be a standalone piece. It is too shallow to stand by itself and will tip over unless supported by a cabinet in front.



## FEATURES:

- Concealed TV lift unit
- TV size capacity: 62"W x 3½"D x 37"H
- Lift equipped with remote and manual switch
- Lid opens and closes with lift action
- Use with any of our Fireplace cabinets
- Cord access hole on bottom front for fireplace cord to pass through

## OPTIONS:

- Custom width for your specific needs



# CALLOWAY

## SECRETARY DESK

### CASD-40

– 40"W x 20½"D x 50"H

### CASD-46

– 44½"W x 20½"D x 53"H

### Shown In

– Sappy Cherry with Natural finish

### Shown With

– Drawer Configuration #3  
& Cubby Style #3



### FEATURES:

- Drop down lid, flat and flush on the inside
- Concealed lid hinges with heavy duty stays
- Bottom drawer is a double file
- Soft close undermount drawer slides
- Flush inset drawers
- 3 outlet power strip with cord access hole.
- Floor levelers
- Drawer configuration #3
- Cubby style #3
- 351-96-DBAC pulls & 351-DBAC knobs

### OPTIONS:

- Drawer configurations #1 or #4
- No interior cubby (priced separately)
- LED light strip with touch-free dimmer switch
- Any Buckeye decorative hardware
- 3 outlet power strip with USB
- Wireless phone charger

# CONRAD

## SECRETARY DESK

### CRSD-43

– 43"W x 20"D x 52"H

### Shown In

– Brown Maple with Kona stain (FC-N3030)

### Shown With

– Drawer Configuration #3 & Cubby Style #1



### FEATURES:

- Drop down lid, flat on inside, flush with desk interior
- Double file system in bottom drawer
- 3 outlet power strip with cord access hole.
- Floor levelers
- Soft close undermount drawer slides
- Drawer configuration #3
- Cubby style #1
- 29355-G10 pulls & 29340-G10 knobs

### OPTIONS:

- Drawer configuration #1, #2, or #4
- Cubby style #2 or #4
- No cubby (priced separately)
- Any Buckeye decorative hardware
- LED light strip with touch-free dimmer switch
- 3 outlet power strip with USB
- Wireless phone charger



# ELDORADO

## SECRETARY DESK

### ELDSD-40

- 40"W x 20½"D x 49½"H

### Shown In

- QSWO with Briar stain  
(FC-15743)

### Shown With

- Drawer Configuration #3  
& Cubby Style #3



### FEATURES:

- Drop down lid, flat on inside and flush with cabinet
- Double file system in bottom drawer
- Soft close undermount drawer slides
- Concealed lid hinges
- 3 outlet power strip with cord access hole
- Floor levelers
- Drawer configuration #3
- Cubby style #3
- 55367-G10 drawer pulls & 29203-G10 lid knob

### OPTIONS:

- Drawer configuration #1 or #4
- No interior cubby (priced separately)
- LED light strip inside desk
- with touchless dimmer
- Any Buckeye hardware selection
- 3 outlet power strip with USB
- Wireless phone charger



# FELIX

## SECRETARY DESK



### FELSD-46

– 46"W x 23¼"D x 54"H

### Shown In

– QSWO with Michaels  
Cherry stain

### Shown With

– Drawer Configuration #2

### FEATURES:

- Drop down lid, flat on inside and flush with cabinet
- 2 file drawers
- Soft close undermount drawer slides
- 3 outlet power strip with cord access hole
- Rollout tray inside door
- Concealed lid hinges
- Floor levelers
- Drawer configuration #2
- Cubby style #2
- 4428-RBZ pulls & 4429-RBZ knobs

### OPTIONS:

- Drawer configuration #1, #3, or #4
- Cubby style #1 or #4
- Adjustable shelves instead of rollout tray
- Any Buckeye hardware
- No cubby (priced separately)
- 3 outlet power strip with USB
- Wireless phone charger
- LED strip light with touchless dimmer

### Shown With

– Drawer Configuration #1



# MODESTO

## SECRETARY DESK

### MODSD-46

– 46"W x 21"D x 53½"H

### Shown In

– Rustic QSWO with Briar stain (FC-15743)

### Shown With

– Drawer Configuration #1  
& Cubby Style #1



**Note: Decorative hardware placement has changed.**

### FEATURES:

- Drop down front lid extends work surface
- Double file system in bottom drawer
- Laptop friendly. Includes cord access hole and 3 outlet power strip
- Floor levelers
- K3219-96-ORB pulls & K3219-ORB knobs
- Drawer configuration #1
- Cubby style #1

### OPTIONS:

- Any Buckeye hardware
- 3 outlet power strip with USB
- Drawer configuration #2, #3, or #4
- Wireless phone charger
- Cubby style #2 or #4
- LED strip light with touchless dimmer
- No cubby (priced separately)



# TETON

## SECRETARY DESK

### TETSD-46

– 46"W x 20¼"D x 53¾"H

### Shown In

– Rough Sawn Brown Maple with Almond stain (FC-4200) and #10 Sheen

### Shown With

– Drawer Configuration #4 & Cubby Style #4 & optional hidden drawers



### FEATURES:

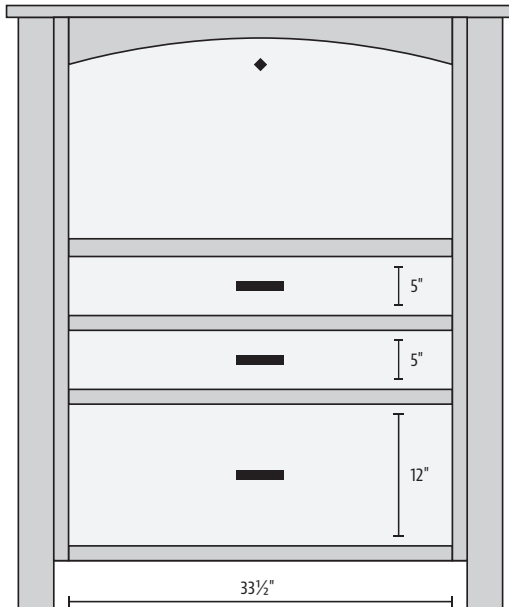
- 1½" thick top
- Drop down front lid, flat on the inside and flush with the cabinet
- Concealed lid hinges with heavy duty lid stays
- 2 bottom file drawers
- Undermount soft close drawer slides
- Floor levelers
- 3 outlet power strip with cord access hole
- Drawer configuration #4
- Cubby style #4
- 602-96-SIM pulls & 602S-SIM knobs
- Black powder coated steel corners

### OPTIONS:

- Any Buckeye decorative hardware
- Drawer configuration #1, #2, or #3 (hidden drawers not available)
- Cubby style #1 or #2
- No cubby (priced separately)
- 2 hidden drawers
- 1 hidden drawer (standard placement on the right)
- Power strip with USB
- Wireless phone charger
- LED strip light with dimmer

# DRAWER CONFIGURATIONS

## Configuration #1



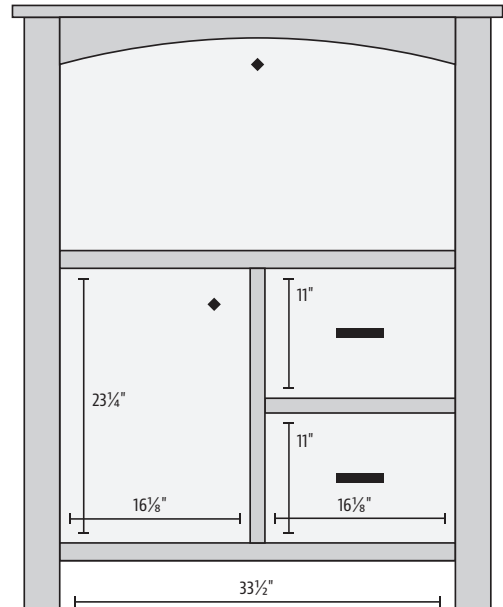
**Standard On:**

- Modesto (MODSD-46)

**Option On:**

- Calloway (CASD-40)
- Eldorado (ELDSD-40)
- Calloway (CASD-46)
- Felix (FELSD-46)
- Conrad (CRSD-43)
- Teton (TETSD-46)

## Configuration #2



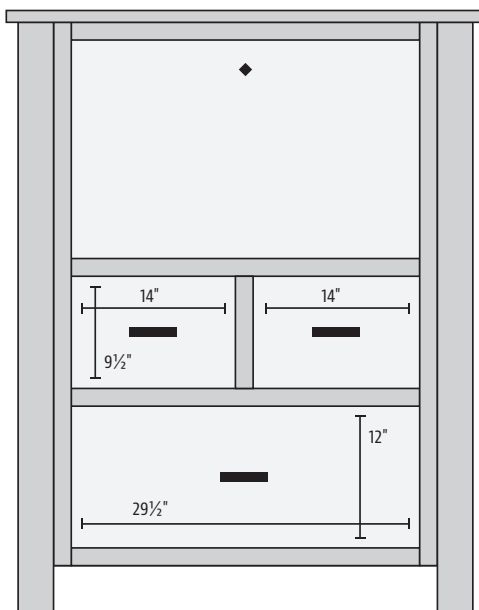
**Standard On:**

- Felix (FELSD-46)

**Option On:**

- Conrad (CRSD-43)
- Teton (TETSD-46)
- Modesto (MODSD-46)

## Configuration #3



**Standard On:**

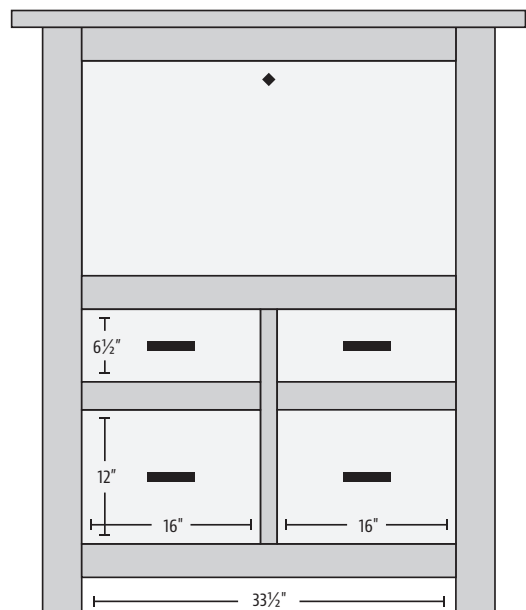
- Calloway (CASD-40)
- Conrad (CRSD-43)\*
- Calloway (CASD-46)
- Eldorado (ELDSD-40)

**Option On:**

- Felix (FELSD-46)\*
- Teton (TETSD-46)
- Modesto (MODSD-46)\*

\*Desks include arched top rail.

## Configuration #4



**Standard On:**

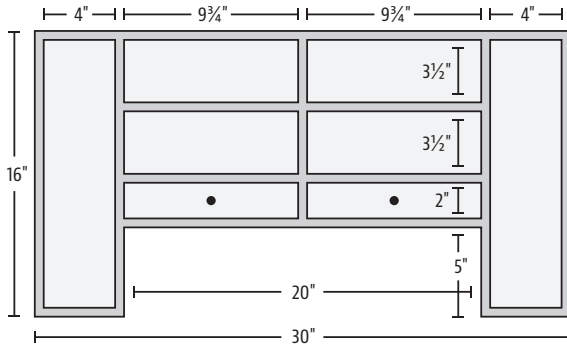
- Teton (TETSD-46)

**Option On:**

- Calloway (CASD-46)
- Felix (FELSD-46)\*
- Conrad (CRSD-43)\*
- Modesto (MODSD-46)\*

\*Desks include arched top rail.

# CUBBY STYLES



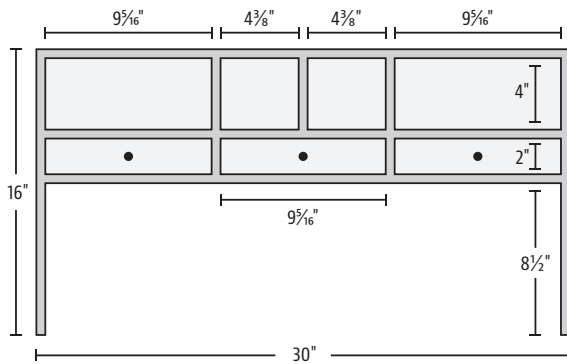
## Style #1

### Standard On:

- Conrad (CRSD-43)
- Modesto (MODSD-46)

### Option On:

- Felix (FELSD-46)
- Teton (TETSD-46)



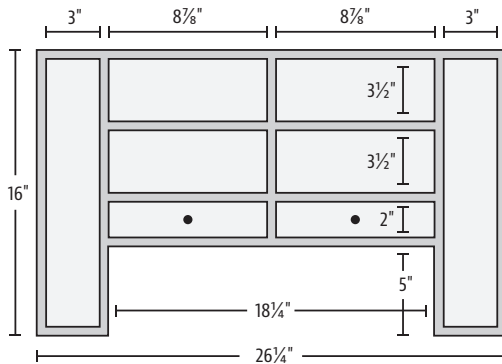
## Style #2

### Standard On:

- Felix (FELSD-46)

### Option On:

- Conrad (CRSD-43)
- Modesto (MODSD-46)
- Teton (TETSD-46)



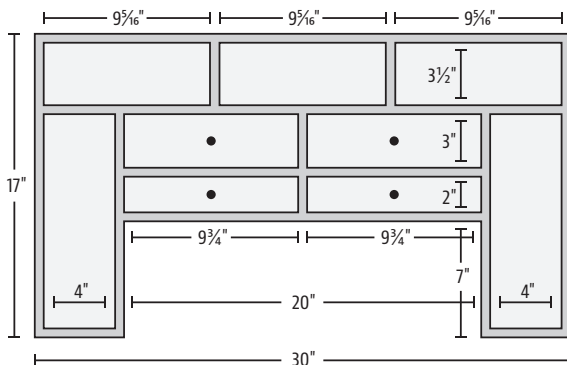
## Style #3

### Standard On:

- Calloway (CASD-40)
- Eldorado (ELDSD-40)

### Option On:

- Not compatible with other models



## Style #4

### Standard On:

- Teton (TETSD-46)

### Option On:

- Conrad (CRSD-43)
- Modesto (MODSD-46)
- Felix (FELSD-46)

# BRYANT

## WINE CABINET

### BYWC

– 38"W x 23"D x 43"H

### Shown In

– Brown Maple with Asbury Brown stain (CF-7992)

### ATTN Retailer

The wine chiller unit ships separate in box—to install just slide into cabinet from back. It is not fastened in any way.

Store your wine in style and at the proper temperature!



### FEATURES:

- 17"W x 24"H Wine Chiller (model may vary), 16 bottle capacity, automatic temperature control, control panel on front door, lighted interior, 115V, 1.1 Amp, 1 year limited warranty
- Hidden swing-out sides for additional storage of 8 bottle capacity plus shelf for glasses
- Top compartment features fold-down front door with beveled glass, mirror in back panel, stemware rack and lights
- K519-KBSB knob standard
- Also available with wine lattice panel instead of wine chiller

### OPTIONS:

- Wine lattice panel instead of wine chiller

# JEFFERSON

WINE CABINET

**JEF-WB-5078**

– 50"W x 24"D x 78"H

**Shown In**

– Brown Maple with Chianti stain (FC-R0729)



## FEATURES:

- 2 section unit
- 17"W x 24"H Wine Chiller (model may vary), 16 bottle capacity, automatic temperature control, control panel on front door, lighted interior, 115V, 1.1 Amp, 1 year limited warranty
- Wine lattice panel, 20 bottle capacity
- Mirror back, glass shelves
- Wire stemware holders
- LED strip lights with motion switch

## OPTIONS:

- B-5 Base moulding
- Any Buckeye hardware



# MONROE

## WINE CABINET



### MONWC-L

- 44"W x 20½"D x 30"H

### Shown In

- QSWO with Michaels  
Cherry stain

### FEATURES:

- 10 Bottle capacity in lattice rack
- Large pull-outs store still more wine, glass, etc
- Available with electric Wine Chiller (17"W x 24"H Wine Chiller (model may vary), 16 bottle capacity, automatic temperature control, control panel on front door, lighted interior, 115V, 1.1 Amp, 1 year limited warranty)
- Complete your setting with our Monroe Fireplace Media Cabinet.





# ASHTON

## KITCHEN ISLAND



### ASKI-1838

– 38"W x 18"D x 35¾"H

### Shown In

- Cabinet: Rustic Walnut with Natural finish
- Butcher Block Top: Hard Maple with Tung Oil finish

### FEATURES:

- Castors allow for complete mobility
- Soft-close undermount drawer slides
- 2¼" thick butcher block top
- Belwith HH076011-BNV pulls

### OPTIONS:

- Any Buckeye Hardware pulls
- Choice of wood species on butcher block top (some restrictions apply)

# CAMDEN

KITCHEN ISLAND



## CAKI-2260

- 48"W x 23½"D x 36"H

### Shown In

- Cabinet: Rustic Red Oak with Earthtone (FC-40592) stain
- Butcher Block Top: Hard Maple end grain with Tung Oil finish

### FEATURES:

- 2" thick butcher block top
- 3½" square legs
- Flush drawer mounts
- Undermount soft close drawer slides
- 859-96 pulls

### OPTIONS:

- End grain butcher block

# DUBOIS

KITCHEN ISLAND



## FEATURES:

- 1½" thick butcher block top
- Flush inset drawer fronts and door
- Undermount soft close drawer slides
- Adjustable shelf behind door
- 435-96-DBAC pulls and 435-DBAC knob

## OPTIONS:

- End grain butcher block
- Raise panel sides and back

## DUKI-2260

- 60"W x 22"D x 36"H

## Shown In

- Cabinet: Brown Maple with Decorator White (FP-11743) paint
- Butcher Block Top: Hard Maple with Tung Oil finish
- Optional Raised Panels

# LASALLE

KITCHEN ISLAND

## LSKI-2536

– 36"W x 25"D x 37"H

### Shown In

- Case: Brown Maple with black paint, rub through, 10 sheen
- Bottom Shelf: Knotty Alder with New Carrington stain (FC-N3173)
- Butcher Block Top: Hard Maple with Tung Oil finish



### FEATURES:

- 4" thick solid hard maple butcher block top
- Undermount soft close drawer slide
- Knotty Alder bottom shelf (as shown)
- Blackrock 55276 BBR pull standard

### OPTIONS:

- Any Buckeye decorative hardware
- Top thickness from 1½" to 5"

# NEW ENGLAND

JOSEY'S ISLAND



## NEJKI-2542

- 42"W x 25"D x 35"H

### Shown In

- Cabinet: Grey Elm with Tavern stain (FC-10944)
- Butcher Block Top: 1½" Hard Maple with Tung Oil finish

### FEATURES:

- Nice size island for smaller kitchens
- Locking casters
- 1 large drawer
- 2 doors
- Pull-out shelves

### OPTIONS:

- Raised panel sides and back (shown)
- Adjustable height rollout shelves (shown)
- Shown in 42" wide. Also available in 30" and 36" widths



# NEW ENGLAND

## JOSEY'S ISLAND

### NEJKI-2530

– 30"W x 25"D x 35"H

#### Shown In

- Cabinet: Brown Soft Maple with Pearl paint (FP-7624) and Early Wheat glaze (FG-9079)
- Butcher Block Top: Hard Maple with Tung Oil finish



#### FEATURES:

- Nice size island for smaller kitchens
- Locking casters
- 1 large drawer
- 2 doors
- Pull-out shelves

#### OPTIONS:

- Raised panel sides and back
- Adjustable height rollout trays
- Shown in 30" wide. Also available in 36" and 42" widths

# PALISADE

KITCHEN ISLAND



## PAKI-3351

– 33"W x 51"D x 36½"H

### Shown In

- Cabinet: Oak with Michaels Cherry stain
- Butcher Block Top: Hard Maple with Tung Oil finish

### FEATURES:

- 2¼" thick hard maple butcher block top
- Hidden compartments on sides with touch latch doors
- Soft close undermount drawer slides
- Soft close doors
- Easy height adjustable roll-out tray system
- 2280-SN pulls & 0251-SN knobs

### OPTIONS:

- No top, customer supplied



# SONOMA

KITCHEN ISLAND



## SOKI-2560-36

– 60"W x 25"D x 36"H

### Shown In

– Oak with Rustic Walnut  
with a Lemon Oil Beeswax  
finish

### FEATURES:

- Undermount soft-close drawer slides
- Buckeye HH076011 Belwith pulls
- Floor levelers on the legs

### OPTIONS:

- Available in 30" desk height (SOD-2560-30)
- Wireless phone charger



# WORKMASTER

## KITCHEN ISLAND



### WOKI-3672

- 69½"W x 24"D x 34½"H
- Top Size: 36" x 72"

### Shown In

- Rustic QSWO with Dark Knight stain (FC-19093) and laminate countertop with beveled edge

### FEATURES:

- Large countertop work surface
- Laminate countertop (all Wilsonart colors)
- Ample storage area
- Recessed lower door area allows for seating on both sides
- Soft close doors and drawers
- 264-96 DBAC pulls

### OPTIONS:

- Corian countertop (all colors)
- Butcher block countertop, 1½" thick, hard maple
- No top, customer supplied
- Any Buckeye hardware



ALSO SPECIALIZING IN

# CUSTOM CABINETS



**Kitchen Cabinets & Island**





Office Cabinets



Bathroom Cabinets

**CURVESIDE**   
**WOOD PRODUCTS INC**

**Fireplaces, Kitchen & Bath Cabinetry**